

Notification Appliances

SEF – Speakers and Speaker Strobes**Application: Indoor****SEF-MC-R**
Speaker Strobe**SEF-W**
Speaker**SEF-MC-CW**
Speaker Strobe**SEF-CW**
Speaker

Product Overview

- Fast installation with In / Out screw terminals using #12 to #18 AWG wires
- High-efficiency design for maximum output at minimum wattage across a frequency range of 400 to 4000 HZ
- Field-selectable taps for 25 or 70 VRMS operation from 1/8 Watt to 2 Watts
- Strobes can be synchronized using the Siemens DSC sync modules | Siemens Modular / FireFinder® XLS panels | 252 / 504-point addressable | or PAD-series NAC extenders with built-in sync protocol
- Strobes produce 1 flash per second
- Ceiling-mount models are available with field selectable candela settings of 15/30/75/95cd or 115/177cd
- Wall-mount models are available with Field Selectable Candela Settings of 15/30/75/110cd or 135/185cd
- @UL Listed & @ULC Listed;
FM, CSFM & NYCFD Approved
- Complies with OSHA 29 Part 1910.165
- ADA / NFPA compliant

Specifications

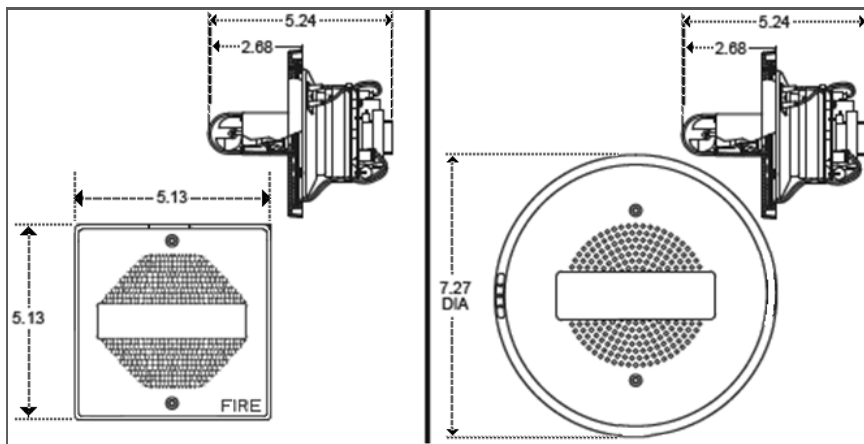
- Speaker appliances are Siemens Series SEF Speakers and speaker-strobe appliances are Siemens Series SEF Speaker Strobes or approved equals
- Speakers are @UL Listed under Standard 1480 for Fire Protective Service, and speakers equipped with strobes are listed under @UL Standard 1971 for Emergency Devices for the Hearing-Impaired
- All models have listed sound output of up to 87 dB at 10 feet and a listed frequency response of 400 to 4000 Hz
- Speakers are designed for a field-selectable input of either 25 or 70 VRMS, with selectable power taps from 1/8 Watt to 2 Watts
- Speaker incorporates a sealed-back construction
- All inputs employ terminals that accept #12 to #18 AWG wire sizes
- Strobe portion of the appliance produces a flash rate of one (1) flash per second, and incorporates a Xenon flashtube enclosed in a rugged Lexan® lens
- Strobe is of low-current design

'SEF' Series Notification Appliances 2582

Specifications – (continued)

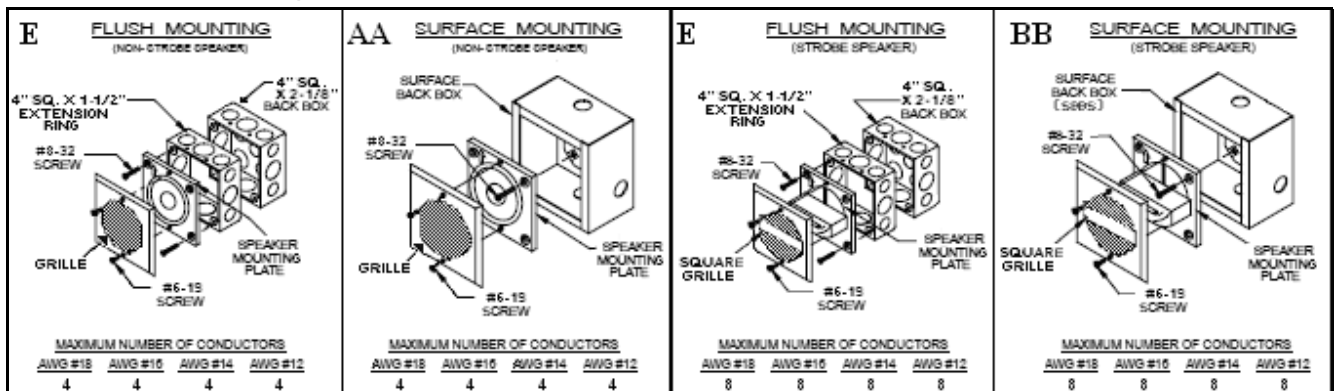
- Strobe intensity, where Multi-Candela appliances are specified, has field-selectable settings, and is rated per @UL Standard 1971 for:
 - 15/30/75/110cd (wall mount) -or-
 - 135/185cd (wall mount)
 - 15/30/75/95cd (ceiling mount) -or-
 - 115/177cd (ceiling mount)
- Selector switch for selecting the candela is tamper resistant
- Strobes can be synchronized using the Siemens DSC sync modules | Siemens Modular / FireFinder® XLS panels | 252 / 504-point addressable | or PAD-series NAC extenders with built-in sync protocol
- The strobes will not drift out of synchronization at any time during operation
- Strobes will revert to a non-synchronized flash-rate, if the sync module or Power Supply should fail to operate (i.e. – contacts remain closed)
- Speaker and speaker-strobe appliances are designed for indoor surface or flush mounting
- Speaker and speaker-strobe appliances incorporate a speaker-mounting plate with a grille cover, which is secured with two screws for a level finish
 - Grille cover mounts to standard electrical hardware requiring no additional trim plate or adapter
- The finish of the Series SEF speakers and speaker-strobes is white or red
- All speaker and speaker-strobe appliances are listed for Special Applications:
 - Strobes are designed to flash at 1-flash-per-second minimum over their "Regulated Input Voltage Range"
- **Note:** NFPA-72 specifies a flash rate of 1-to-2 flashes per second, and ADA Guidelines specify a flash rate of 1-to-3 flashes per second
 - All candela ratings represent minimum-effective Strobe intensity, based on @UL Standard 1971

Mounting Diagram



(Shown In Inches)

Mounting Options



Note: Backbox is compatible with wiremold & conduit mountings. Holes are for single-gang, double-gang, 4" sq., 3-1/2" & 4" octagon or round backboxes.

Technical Data

SEF-MC Series: Wall-Mount Strobes Only

©UL Current Rating with Strobe Only		MAXIMUM RMS Current (AMPS)			
Input Voltage Range		15cd	30cd	75cd	110cd
DC	16.0 – 33.0VRMS	0.064	0.098	0.175	0.233
FWR	16.0 – 33.0VRMS	0.108	0.164	0.268	0.368

SEF-HMC Series: Wall-Mount Strobes Only

©UL Current Rating with Strobe Only		MAXIMUM RMS Current (AMPS)	
Input Voltage Range		135cd	185cd
DC	16.0 – 33.0VRMS	0.318	0.445
FWR	16.0 – 33.0VRMS	0.482	0.683

SEF-MC Series: Ceiling-Mount Strobes Only

Current Ratings (AMPS)		MAXIMUM RMS Current – Per ©UL and ©ULC				
Input Voltage Range	Operating Voltage	15cd	30cd	75cd	95cd	110cd
	(Special Application)					
DC	16.0 – 33.0VRMS	0.064	0.098	0.175	0.264	0.233
FWR	16.0 – 33.0VRMS	0.108	0.164	0.268	0.398	0.368

SEF-HMC Series: Ceiling-Mount Strobes Only

Current Ratings (AMPS)		MAXIMUM RMS Current – Per ©UL and ©ULC			
Input Voltage Range	Operating Voltage	115cd	135cd	177cd	185cd
	(Special Application)				
DC	16.0 – 33.0VRMS	0.318	0.318	0.445	0.445
FWR	16.0 – 33.0VRMS	0.482	0.482	0.683	0.683

- Notes:**
1. Strobe will produce 1 flash per second over the Input Voltage range
 2. Strobes meet the required light distribution patterns defined in ©UL 1971
 3. Models are ©UL Listed for indoor use with a temperature range of +32°F to +120°F (0°C to +49°C) and maximum humidity of 85% RH. The effect of shipping and storage temperatures will not adversely affect the performance of the appliance when it is stored in the original cartons and is not subjected to misuse or abuse
 4. The maximum supervision voltage is 33VDC
 5. Frequency range of speakers is 400 – 400Hz

Position	25V	70V
A	2	----
B	1	----
C	1/2	----
D	1/4	2
E	1/8	1
F	----	1/2
G	----	1/4
H	----	1/8

Model*	Operating Voltage (Special Application) [Per ©UL 464] (VRMS)	©UL Listed Models and Ratings (Speaker)				
		dBA at 10 Feet (Rated Watts)				
SEF-MC	25/70	1/8	1/4	1/2	1	2
		76	80	82	85	88

*Available in red and white

Details for Ordering – (Including Mounting Options & Agency Approvals)

Agency Approvals

Model	Part Number	Description	Mounting Options*	UL	ULC	FM	CSFM
SEF-MC-R	500-636037	SEF Series: Multi-Candela, Red	P,Q,R,U,Y	✓	✓	✓	✓
SEF-MC-W	500-636038	SEF Series: Multi-Candela, White	P,Q,R,U,Y	✓	✓	✓	✓
SEF-HMC-R	500-636039	SEF Series: Hi Multi-Candela, Red	P,Q,R,U,Y	✓	✓	✓	✓
SEF-HMC-W	500-636040	SEF Series: Hi Multi-Candela, White	P,Q,R,U,Y	✓	✓	✓	✓
SEF-R	500-636041	SEF Series: Speaker, Red	Q,U	✓	✓	✓	✓
SEF-W	500-636042	SEF Series: Speaker, White	Q,U	✓	✓	✓	✓
SEF-MC-CW	500-636043	SEF Series: Multi-Candela Ceiling, White	Q,U	✓	✓	✓	✓
SEF-HMC-CW	500-636044	SEF Series: Hi Multi-Candela Ceiling, White	Q,U	✓	✓	✓	✓
SEF-CR	500-636045	SEF Series: Ceiling Speaker, Red	Q,U	✓	✓	✓	✓
SEF-CW	500-636046	SEF Series: Ceiling Speaker, White	Q,U	✓	✓	✓	✓

NOTE: There are no regulatory restrictions in mounting Siemens Series 'SEF' Speaker-only appliances to either wall or ceiling applications.

✓ = listed / approved

* = Refer to data sheet # 2585 for detailed mounting options

This Page Left Intentionally Blank

Notice: This marketing data sheet is not intended to be used for system design or installation purposes.
For the most up-to-date information, refer to each product's installation instructions.

SIEMENS Industry, Inc.
Building Technologies Division

Fire Safety
8 Fernwood Road
Florham Park, NJ 07932
Tel: (973) 593-2600
FAX: (908) 547-6877
URL: www.usa.Siemens.com/Fire

(SII)
Printed in U.S.A.

Fire Safety
1577 North Service Road
East Oakville, Ontario
L6H 0H6 / **Canada**
Tel: [905] 465-8000
URL: www.Siemens.CA

August 2018
Supersedes sheet dated 3/2018
(Rev. 5)