

Notification Appliances

NH / NS – NH Horn and NS Horn Strobes**Application: Indoor****NH-CW****NS-MC-CW**

Products Overview

- Fast installation with In / Out screw terminals using #12 to #18 AWG wires
- Strobes can be synchronized using the Siemens DSC sync modules; the Siemens 50-point, 252-point and 504-point fire alarm control panels (FACPs), as well as with:
 - FireFinder® XLS and MXL® FACPs
 - PAD-3 or PAD-4™ NAC Extenders with built-in sync protocol
- Selectable Continuous Horn or Temporal (Code 3)
- Ceiling-mount models are available with field-selectable Candela settings: 15/30/75/95cd and 115/177cd
- @UL Listed;
 - FM (#3150) and CSFM Approved (#7125-0067:0248 -> Fire Alarm Devices For The Hearing Impaired)
- ADA / NFPA / UFC / ANSI compliant
- Complies with OSHA 29, Part 1910.165

Specifications

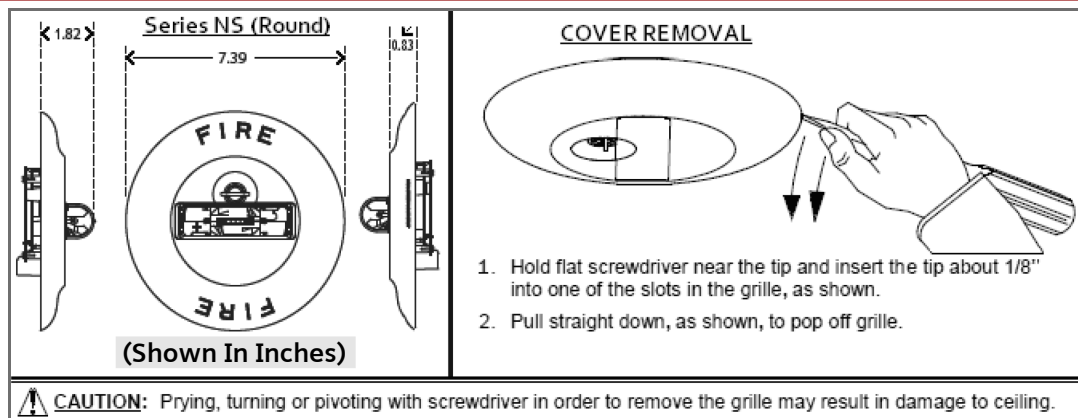
- Audible / visual notification appliances are Siemens Series 'NS' Horn/Strobe appliances and Series 'NH' Horn appliances or approved equals
- The series of 'NS' appliances meets @UL Standard 1971 (Emergency Devices for the Hearing-Impaired for Indoor Fire Protection Service)
- The series of 'NH' Horn appliances is @UL Listed under Standard 464 (Fire Protective Signaling)
- The series of 'NS' Horn/Strobes is @UL Listed for indoor use only
- All inputs are compatible with standard reverse polarity supervision of circuit wiring by the Siemens Fire Alarm Control Panel (FACP)
- The audible portion of the appliance has a minimum of two (2) field-selectable settings for dBA levels, and has an audio output of either continuous or Temporal (Code 3) pattern
- The strobe portion of the appliance produces a flash rate of one (1) flash per second over the Regulated Input Voltage Range, and incorporates a Xenon flashtube enclosed in a rugged Lexan® lens
- The series of 'NS' appliances is of low-current design
- Strobe intensity (where ceiling mount, multi-Candela appliances are specified) is easily controlled by field-selectable settings, and is rated per @UL Standard 1971 for:
 - 15/30/75/95cd
 - 115/117cd

'NH / NS' Series Notification Appliances 2577

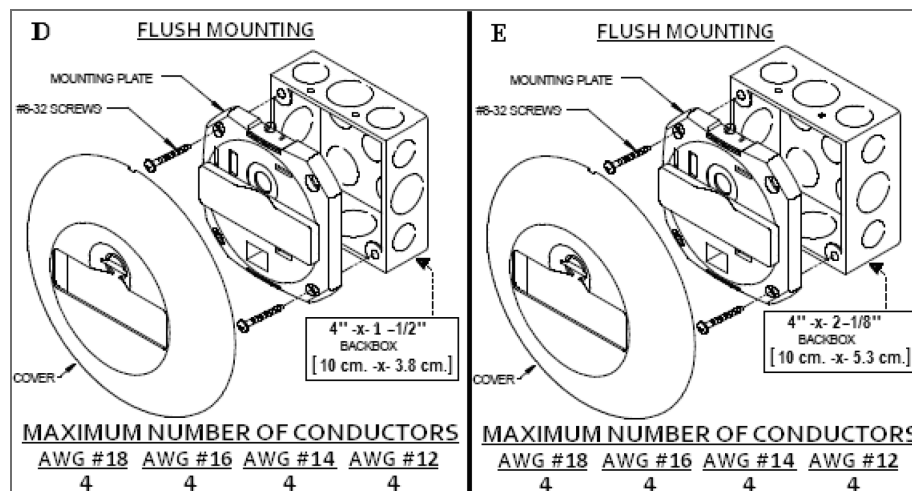
Specifications – (continued)

- The switch used for selecting the Candela setting is tamper resistant
- When synchronization is required, the appliance is compatible with Siemens' DSC Sync Modules; the Siemens 50-point, 252-point and 504-point fire alarm control panels (FACPs), as well as with:
 - FireFinder® XLS and MXL® FACPs
 - PAD-3 or PAD-4™ NAC Extenders with built-in sync protocol
- The strobes will not drift out of synchronization at any time during operation
- The strobes will revert to a non-synchronized flash-rate, if the sync module or Power Supply should fail to operate (i.e. – contacts remain closed)
- The appliance is also designed so that the audible signal may be silenced while maintaining strobe activation, when used with Siemens synchronization
- The Series 'NH' Horn and 'NS' Horn/Strobes of appliances incorporates a Patented Universal Mounting Plate that will allow mounting to a single-gang, double-gang, 4-inch square (10 cm), European type backboxes, or the SHBBS Surface Backbox
 - For use where required, an NATP (*Notification Appliance Trim Plate*) is provided
- All notification appliances are listed for Special Applications:
 - Strobes are designed to flash at 1-flash-per-second minimum over their "Regulated Input Voltage Range"
- **Note:** NFPA-72 specifies a flash rate of 1-to-2 flashes per second, and ADA Guidelines specify a flash rate of 1-to-3 flashes per second
 - All Candela ratings represent minimum-effective Strobe intensity, based on @UL Standard 1971
 - The Series 'NS' Horn/Strobe of appliances is @UL Listed under @UL Standard 1971 for indoor use with a temperature range of 32°F to 120°F (0°C to 49°C) and maximum humidity of 93% (± 2%)
 - The Series 'NH' Horns of appliances is @UL Listed under @UL Standard 464 for audible signal appliances (Indoor use only)

Mounting Diagram



Mounting Options



Technical Data

NH-C Series: Ceiling Mount

Operating Voltage (Special Application)			
Per UL 464			
Input Voltage		Low	High
DC	16.0 – 33.0VDC	0.018	0.044
FWR	16.0 – 33.0VRMS	0.045	0.075

NH-C Series: Ceiling Mount

dBA Sound Output				
Description	Volume	Reverberant Per UL 464		
		16.0 VDC	24.0 VDC	33.0 VDC
Continuous Horn	Low	78	81	84
	High	84	88	90
Code 3 Horn (or March Time)**	Low	73	77	79
	High	80	83	85

** Available only in sync mode.

NS-MC-C and NS-HMC-C Series: Ceiling Mount

Current Ratings (AMPs)							
MAXIMUM RMS Current - with <u>Hi</u> dBA Setting							
Input Voltage		15cd	30cd	75cd	95cd	115cd	177cd
DC	16.0 – 33.0VDC	0.087	0.130	0.222	0.292	0.371	0.506
FWR	16.0 – 33.0VRMS	0.150	0.216	0.331	0.411	0.521	0.722

Current Ratings (AMPs)							
MAXIMUM RMS Current - with <u>Low</u> dBA Setting							
Input Voltage		15cd	30cd	75cd	95cd	115cd	177cd
DC	16.0 – 33.0VDC	0.075	0.121	0.213	0.277	0.324	0.499
FWR	16.0 – 33.0VRMS	0.488	0.195	0.319	0.421	0.497	0.705

NS Series: Ceiling Mount

dBA Sound Output				
Description	Volume	Reverberant Per UL 464		
		16.0 VDC	24.0 VDC	33.0 VDC
Continuous Horn	Low	78	81	84
	High	84	88	90
Code 3 Horn (or March Time)**	Low	73	77	79
	High	80	83	85

** Available only in sync mode.

NH-C Series –

Note: NH-C Audible Appliances are UL Listed to operate over a Voltage Range Limit from 16.0VDC to 33.0VDC for 24VDC applications using filtered DC or unfiltered Full-Wave-Rectified (FWR) input voltage.

NS/C Series –

- Notes:**
- NS Strobe will produce 1 flash per second over the Input Voltage range.
 - This horn/strobe model meets the required light-distribution patterns defined in UL 1971 .
 - All models are UL Listed for indoor ceiling use with a temperature range of $+0^{\circ}\text{C}$ to $+49^{\circ}\text{C}$ ($+32^{\circ}\text{F}$ to $+120^{\circ}\text{F}$) and maximum humidity of $93\% \pm 2\% \text{RH}$.
The effect of shipping and storage temperatures shall not adversely affect the performance of the appliance when stored in original cartons, and is not subjected to either misuse or improper handling of shipment.

Details for Ordering – (Including Mounting Options & Agency Approvals)

Agency Approvals

Model	Part Number	Strobe Candela	Description	Mounting Options*	UL	FM	CSFM
NS-MC-CR	500-636087	15/30/75/95	NS Strobe: Multi-Candela, Red	E	✓	–	✓
NS-MC-CW	500-636088	15/30/75/95	NS Strobe: Multi-Candela, White	E	✓	–	✓
NS-HMC-CR	500-636089	115/177	NS Strobe: Hi Multi-Candela, Red	E	✓	–	✓
NS-HMC-CW	500-636090	115/177	NS Strobe: Hi Multi-Candela, White	E	✓	–	✓
NH-CR	500-636085	–	NH Horn, Red	B,D,E,F,G,J,N,R,X	✓	✓	✓
NH-CW	500-636086	–	NH Horn, White	B,D,E,F,G,J,N,R,X	✓	✓	✓

*: Refer to data sheet #2585 for detailed mounting options

✓: Agency Listed / Approved

Notice: This marketing data sheet is not intended to be used for system design or installation purposes. For the most up-to-date information, refer to each product's installation instructions.